

5

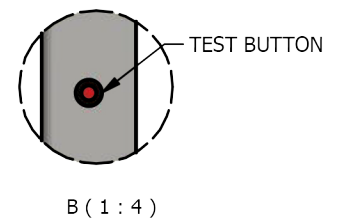
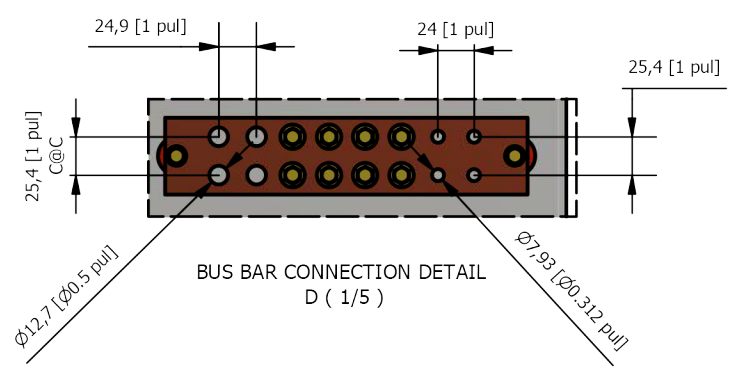
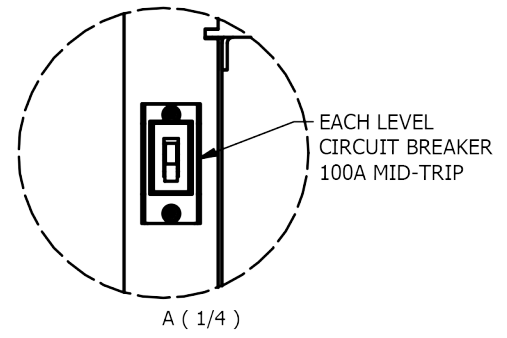
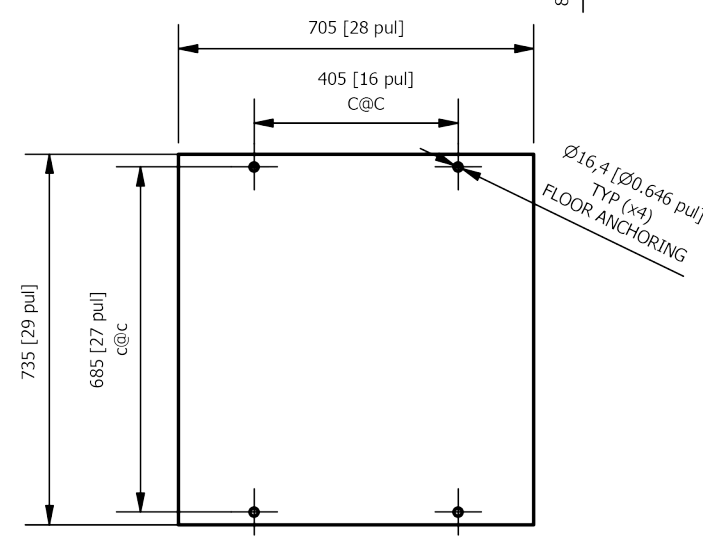
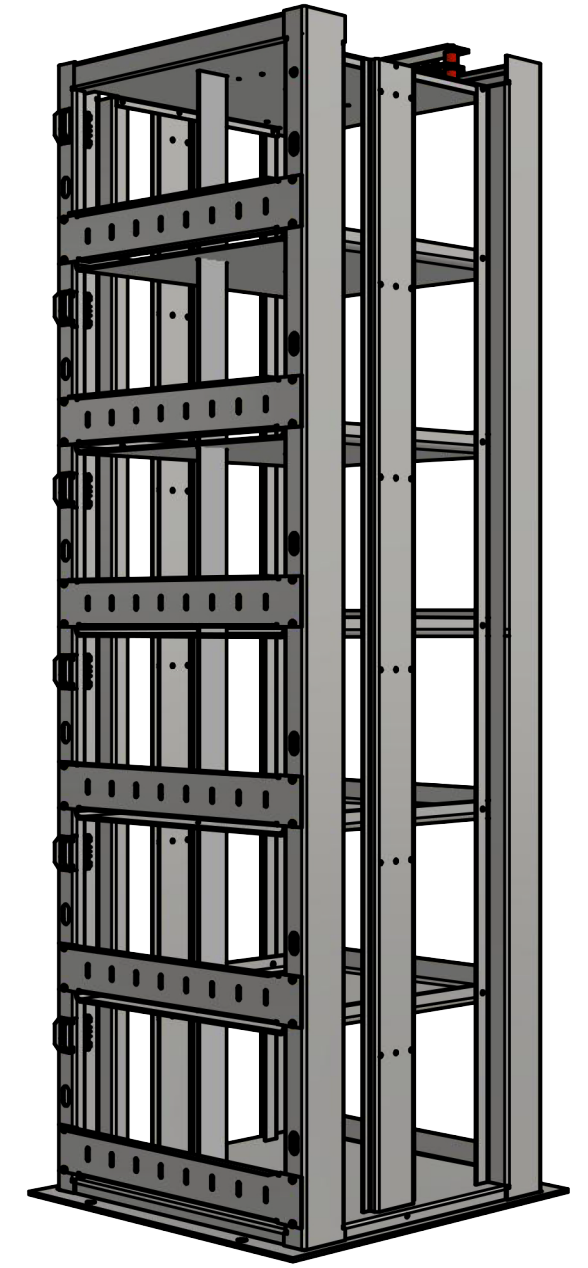
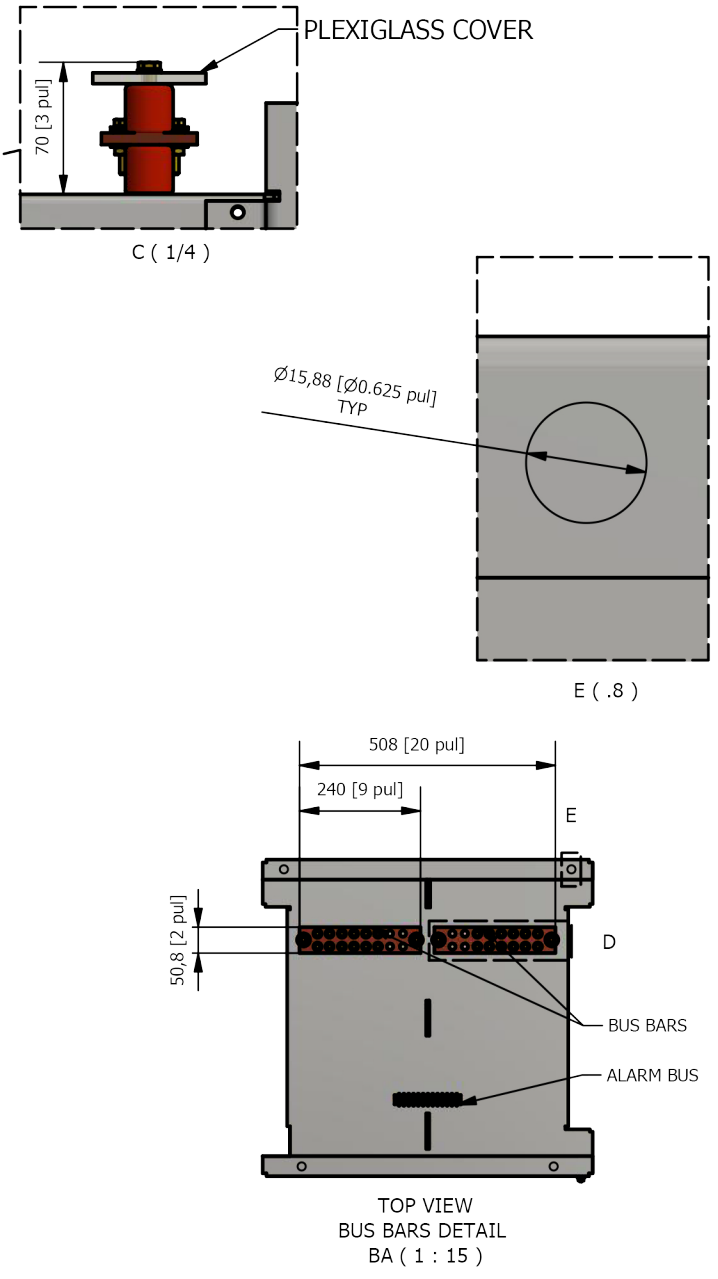
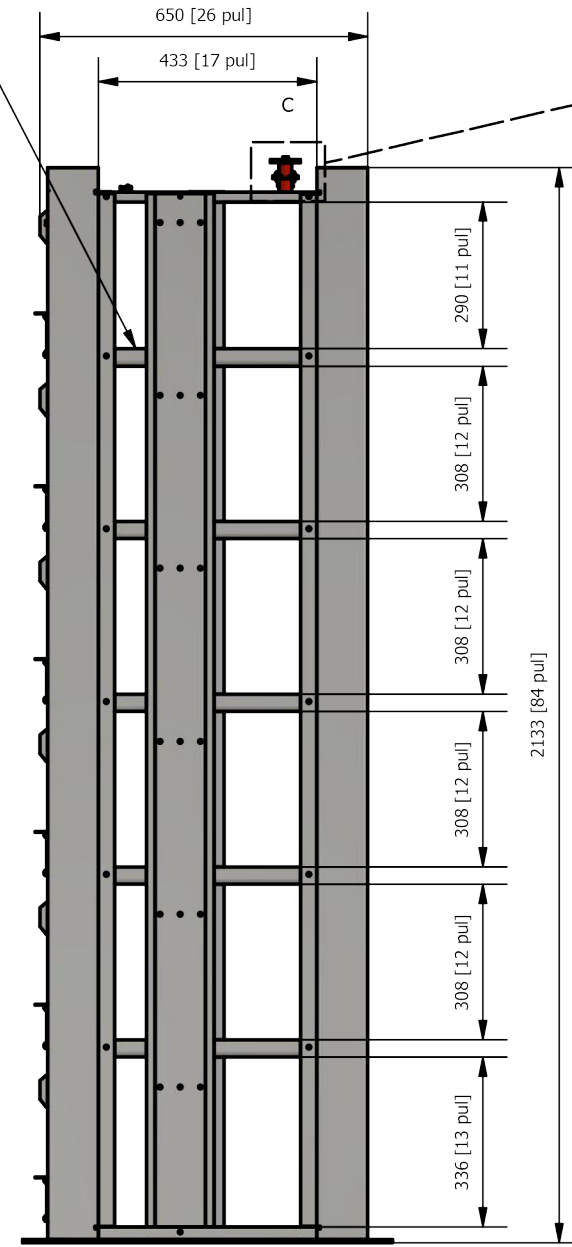
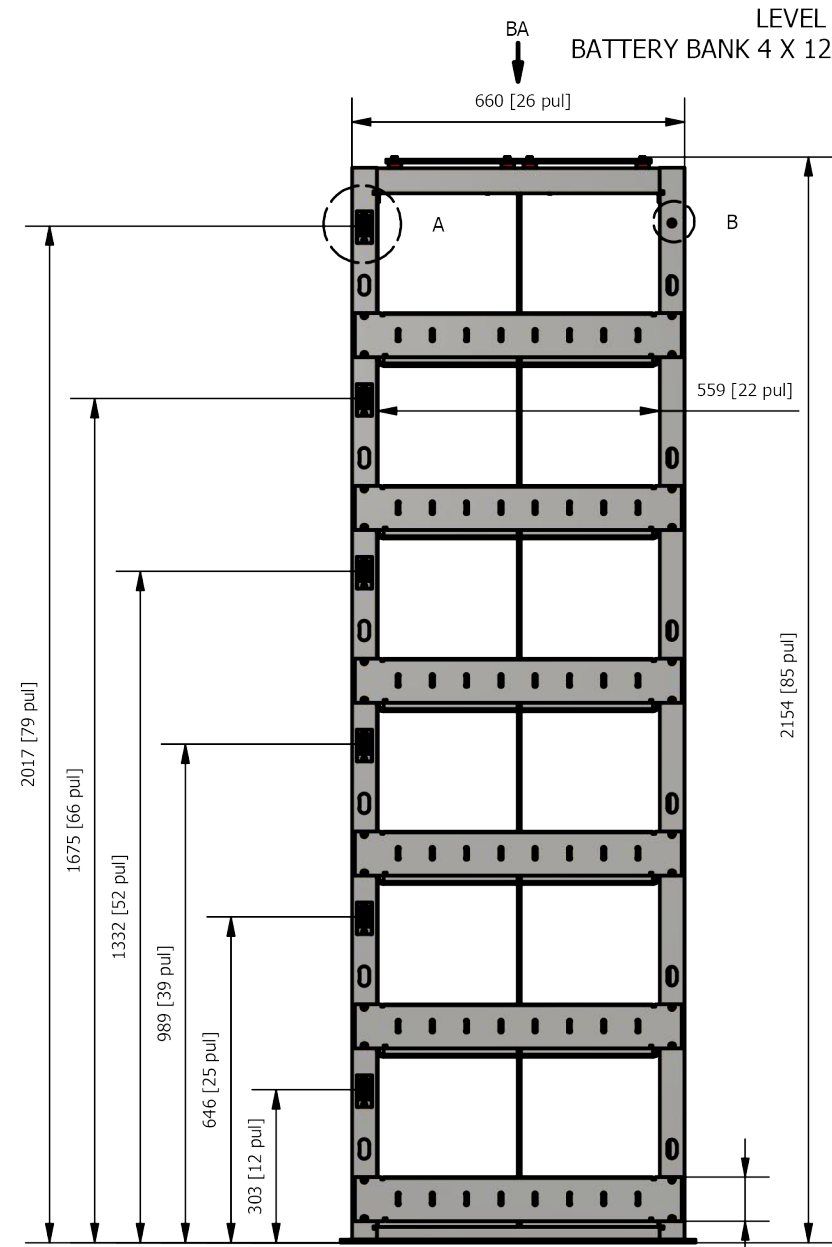
4

3

2

1

REVISIONS				
REV	DESCRIPTION	CREATED	DATE	APPROVAL



STANDARD TOLERANCES ACOTATION mm	X ±1
	XX ±0.5
	XXX ±0.25
ANGULAR	±1°
DIMENSION AND TOLERANCES BY ASME Y14.5M-2009	
Acot: mm [ in ]	
THIRD ANGLE OF PROJECTION	

MATERIAL:	STEEL
FINISH:	POWDER COATING
APPROVALS:	DATE
CREATE BY:	M.B.A 14/09/2018
REVISED BY:	M.B.A 14/09/2018
APPROVAK BY:	S.M.C 14/09/2018

NAME	6-Shelf Battery Rack, 4x12AVR200ET, 48V, 100A, CB 1200A, PreCable, landingdistribution buss, alarm wiring/push-test		
FORMAT	A	PART NUMBER:	EPIC4x6-Z4-A
SCALE	S/E	SHEET:	1/1

5

4

3

2

1