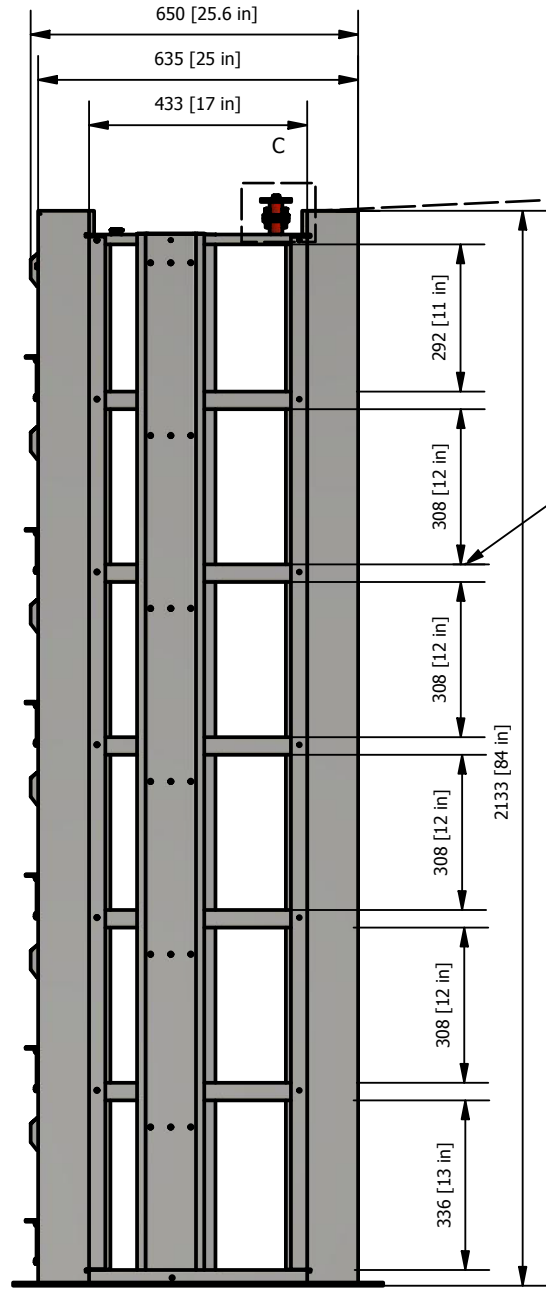
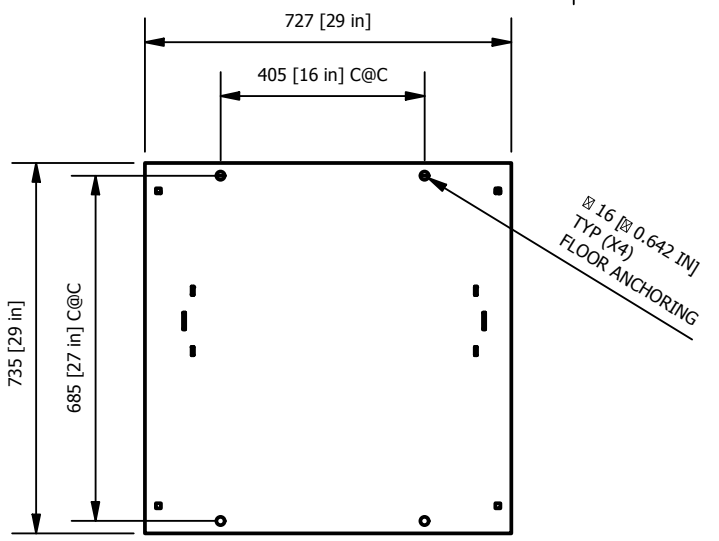
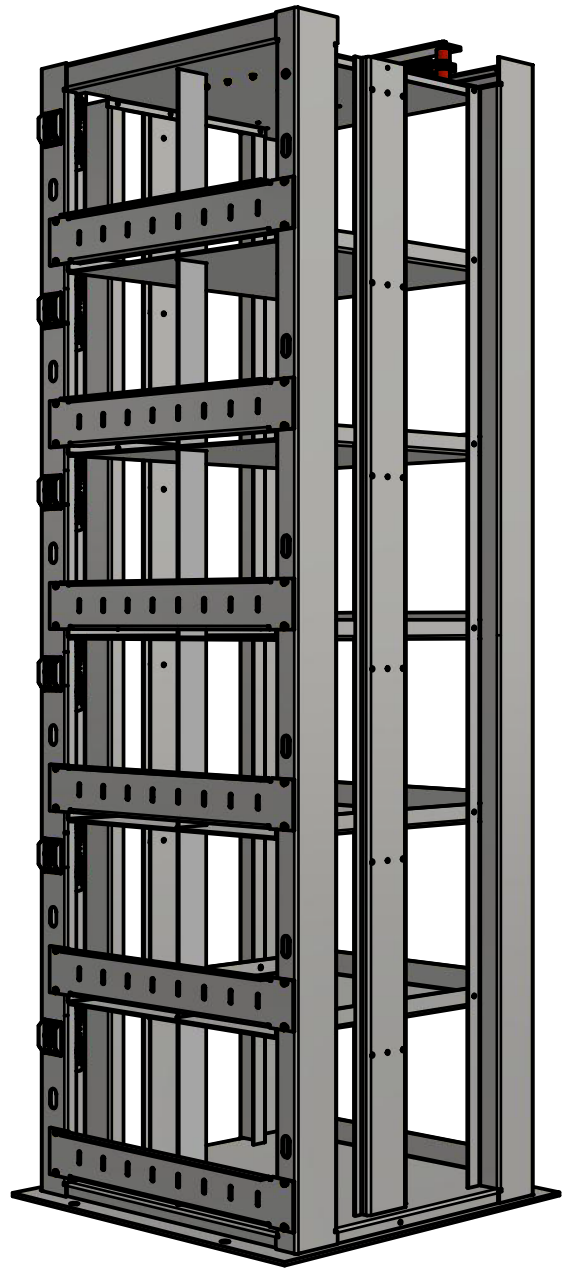
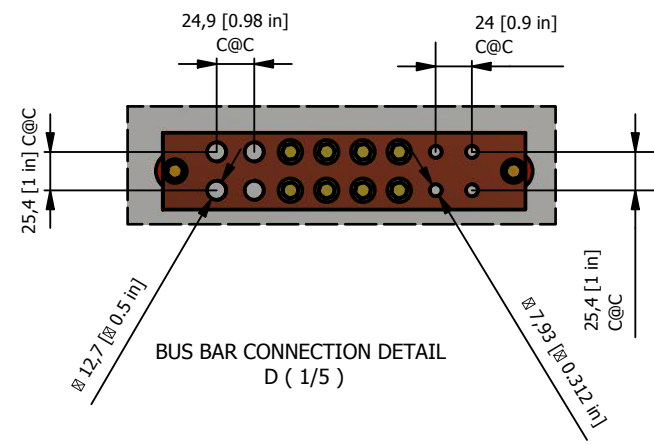
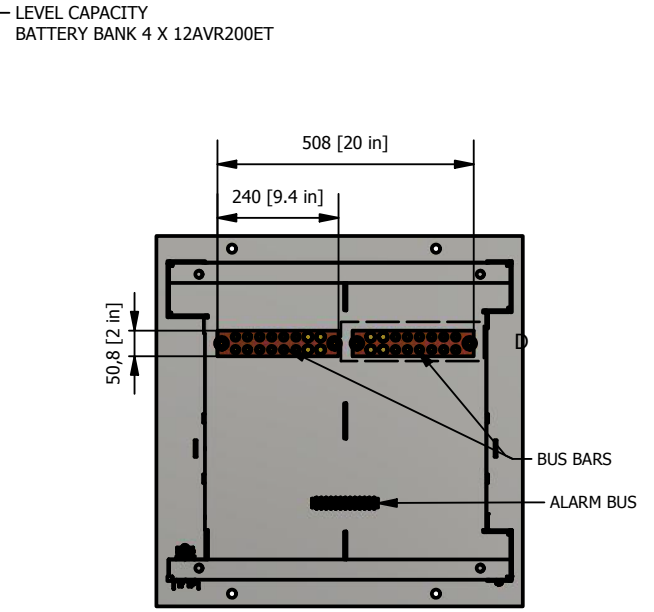
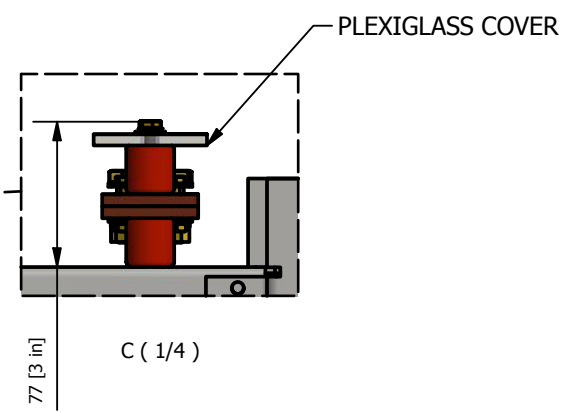


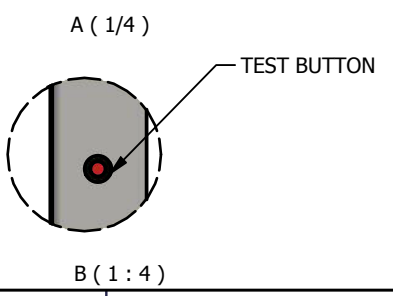
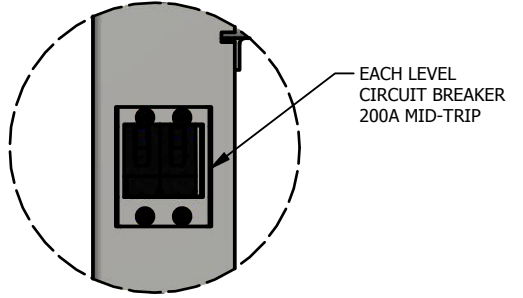
FRONT VIEW



RIGHT VIEW



BOTTOM VIEW (FOOT PRINT)



REVISIONS				
REV	DESCRIPTION	CREATED	DATE	APPROVAL

www.epicbbs.com

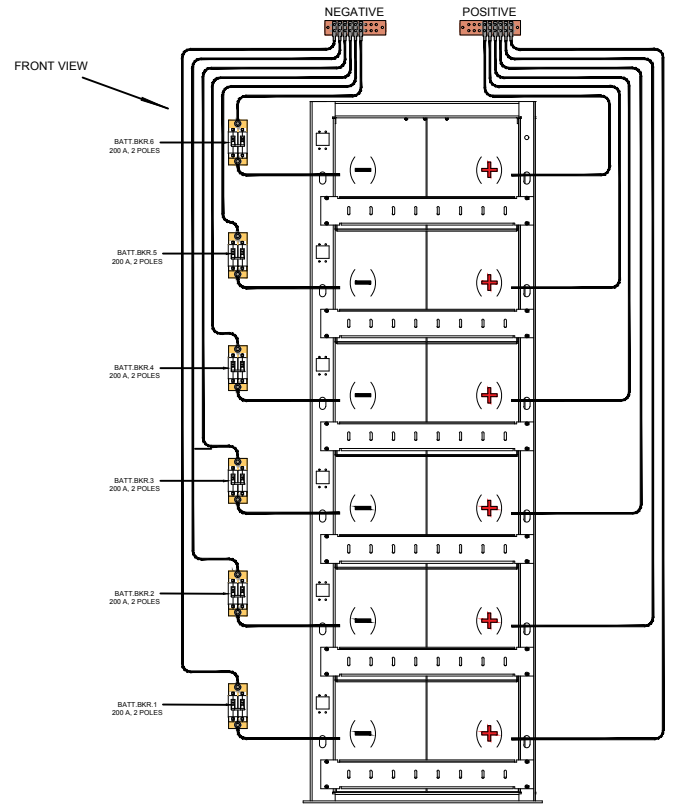
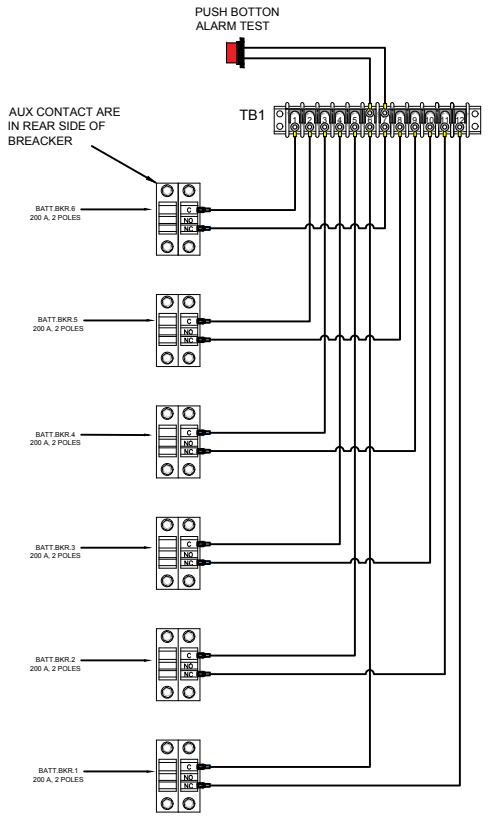
This document is the property of Epic Broadband Solutions and it is not possible to reproduce without written authorization of the author.

STANDARD TOLERANCES DIMENSIONING MM	
X	±1
XX	±0.5
XXX	±0.25
ANGULAR	±1°
DIMENSION AND TOLERANCES BY ASME Y14.5M-2009	
Acot: mm [in]	
THIRD ANGLE OF PROJECTION	

MATERIAL:	STEEL
FINISH:	POWDER COATING
APPROVALS	DATE
CREATE BY: A.A.B.	23/02/2023
REVISED BY: M.B.A.	23/02/2023
APPROV BY: M.B.A.	23/02/2023

NAME	
6-Shelf Battery Rack, 4x12AVR200ET 48V, 200A, CB 1200A PreCable, landingdistribution buss, alarm wiring/push-test	
FORMAT A	PART NUMBER: EPIC4X6-Z4-B
SCALE S/E	SHEET: 1/1

REVISIONS			
REV	DESCRIPTION	CREATED DATE	APPROVAL



<p>BROADBAND SOLUTIONS www.epicbbs.com</p> <p><small>This document is the property of Epic Broadband Solutions and it is not possible to reproduce without written authorization of the author.</small></p>	<p>STANDARD TOLERANCES</p> <p>DIMENSIONING MM</p> <p>±1</p> <p>X ±0.5</p> <p>X.X ±0.25</p> <p>X.XX ±1°</p> <p>ANGULAR ±1°</p>	<p>MATERIAL: STEEL</p> <p>FIN: POWDER COATING</p>	<p>NAME</p> <p>6 LEVEL RACK FOR 1200A</p>
	<p>DIMENSION AND TOLERANCES BY</p> <p>ASME Y14.5M -2009</p> <p>Acot: mm [in]</p>	<p>DATE</p> <p>23/02/2023</p>	<p>FORM PART NUMBER</p> <p>EPIC4X6-Z4-B</p>
	<p>THIRD ANGLE OF PROJECTION</p>	<p>DATE</p> <p>23/02/2023</p>	<p>REV B</p>
	<p>SCALE: 5/E</p>	<p>SHEET 3/3</p>	