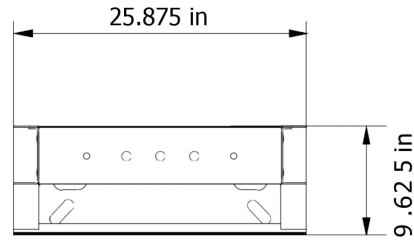
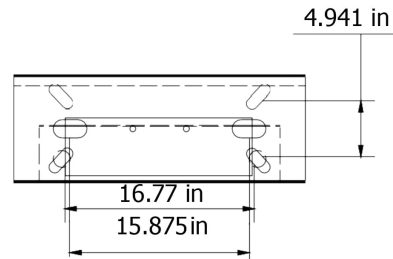


UPPER FRONT VIEW

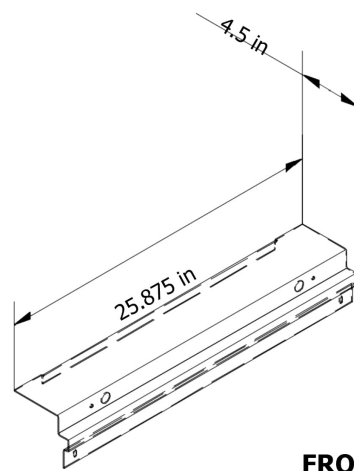


TOP VIEW

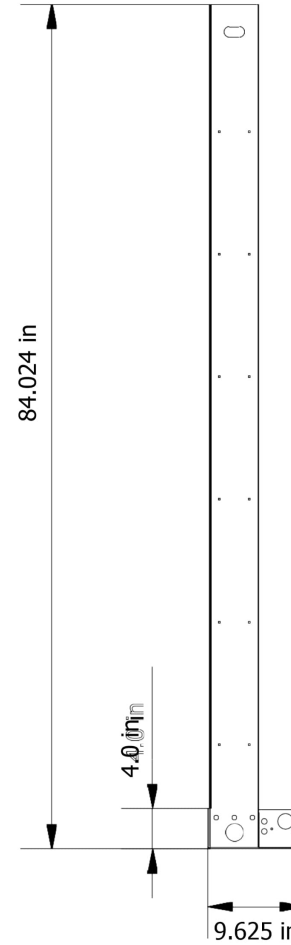


FOOTPRINT

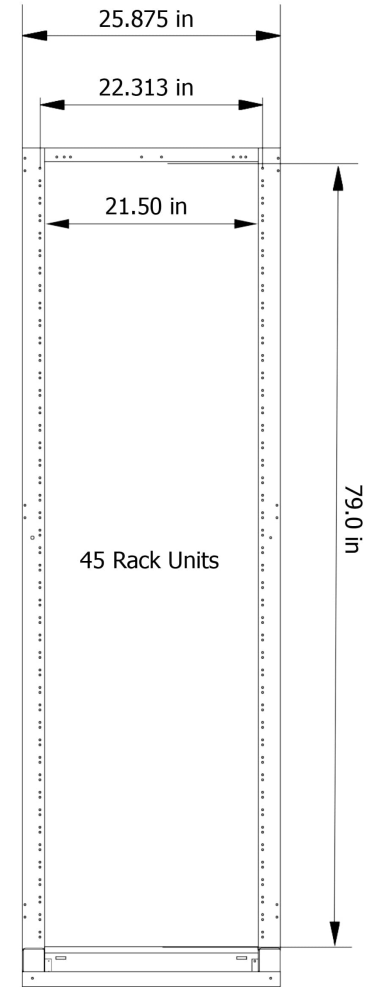
12-24 Mounting Screws
1.75" Spacing



FRONT GUARD RAIL KIT



SIDE VIEW



FRONT VIEW

FINISH

TELECOM GRAY POWDER
COATING

Heavy duty steel construction
TRUE 45RU
ZONE 4 Seismic Rated
Front/rear tapped for 12-24 screws with RU markings
Includes cover, mounting kit and (3) junction kits
Weight 67.5lbs

23" X 7' SEISMIC NETWORK BAY - UNEQUAL FLANGE



